

## SANITARY CHECK VALVE SRT10

### DESCRIPTION

The SRT10 all stainless steel disc check valve has a compact design and is specially designed for use with clean steam, hot condensate and other process fluid applications. They are particularly recommended for high purity applications.

### MAIN FEATURES

Compact design.  
Completely machined from bar stock material, no castings or forgings are used on the standard version.

### STANDARD SURFACE FINISH

Internal wetted parts:  $\leq 0,51$  micron Ra – SF1.  
External:  $\leq 0,76$  micron Ra – SF3.  
Other surface conditions see IS PV20.00 E – Technical information.  
Ultrasonic cleaning.

USE: Clean steam, water and other gases and liquids compatible with the construction.

AVAILABLE MODELS: SRT10 – Vertical installation.  
SRTH10 – Horizontal installation.

SIZES: 1/2" to 4".

CONNECTIONS: ASME BPE clamp ferrules or tube weld (ETO) ends.  
Others on request.

PACKAGING: Assembling and packaging in a clean room certified according to ISO 14644-1.  
The product is end capped and sealed with recyclable thermo-shrinkable plastic film, to avoid contamination.

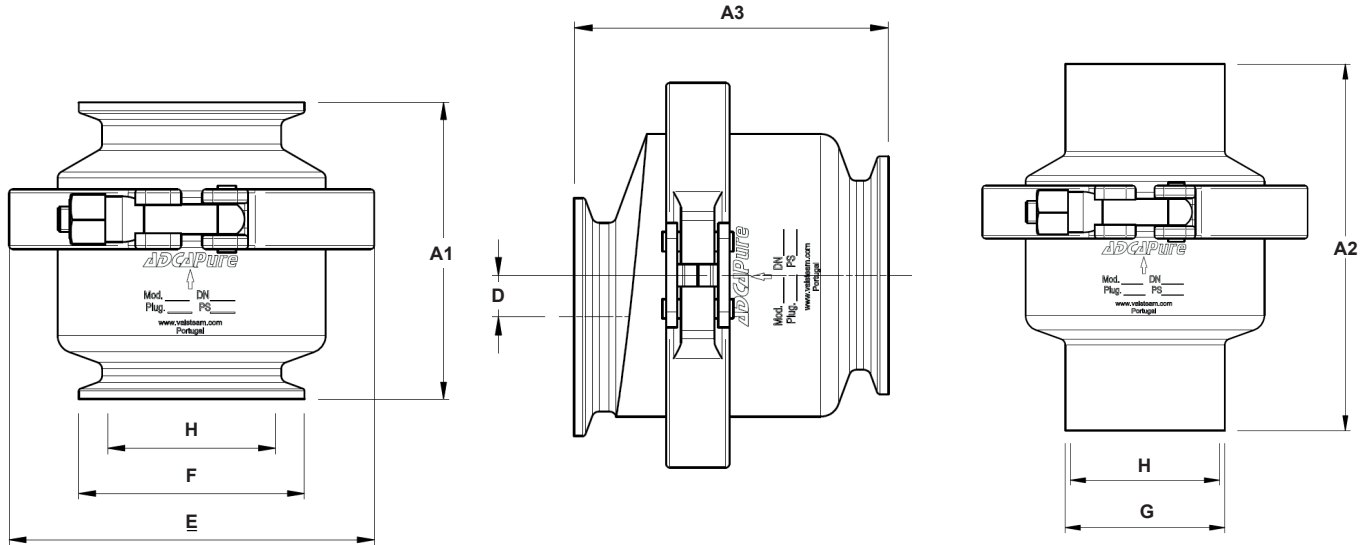
INSTALLATION: Vertical or horizontal according to the selected model and type of fluid.  
See IMI – Installation and maintenance instructions.



CE MARKING – GROUP 2 (PED – European Directive)	
Size	Category
1/2" to 4"	SEP

LIMITING CONDITIONS	
Body design conditions	PN 10
Maximum operating temperature (steam and water) – EPDM seals *	180 °C
Maximum operating temperature (air and other gases) – EPDM seals	150 °C
Maximum operating temperature – PTFE seals	200 °C
Minimum operating temperature	- 10 °C

\* High performance EPDM. Maximum operating temperature of 210 °C, for short periods of time.



DIMENSIONS (mm) ASME BPE

SIZE	A1	A2	A3	D	E	F	G	H	WEIGHT (kg)
1/2"	50	95	50	11,8	61	25	12,7	9,4	0,4
3/4"	50	95	50	8,6	61	25	19,05	15,8	0,5
1"	60	98	60	5,5	61	50,5	25,4	22,1	0,6
1 1/2"	69	109	69	11,1	90	50,5	38,1	34,8	1,1
2"	84	78	122	11,3	104	64	50,8	47,5	1,4
2 1/2"	89	92	89	9,9	119	77,5	63,5	60,2	1,8
3"	98	133	98	11,1	134	91	76,2	72,9	2,6
4"	109	144	109	14,3	170	119	101,6	97,38	4,9

Remarks: Face to face dimensions are not standardized. Different dimensions available on request.

MATERIALS

POS. N°	DESIGNATION	MATERIAL
1	Valve inlet body	AISI 316L / 1.4404
2	Valve outlet body	AISI 316L / 1.4404
3	Guide plate	AISI 316L / 1.4404
4	Spring	AISI 316 / 1.4401 electropolished
5	* Valve and stem	AISI 316L / 1.4404
6	* Valve seal	High performance EPDM **
		PTFE **
7	* Body seals	High performance EPDM **
		PTFE **
8	Safety clamp	AISI 316 / 1.4401
9	Plain bearing	PTFE

\* Available spare parts ; \*\* Others available on request.

Remarks: FDA / USP Class VI seals certificate on request.

All valves have a serial number. In case of non-standard valves, this number must be supplied if spare parts are ordered.

